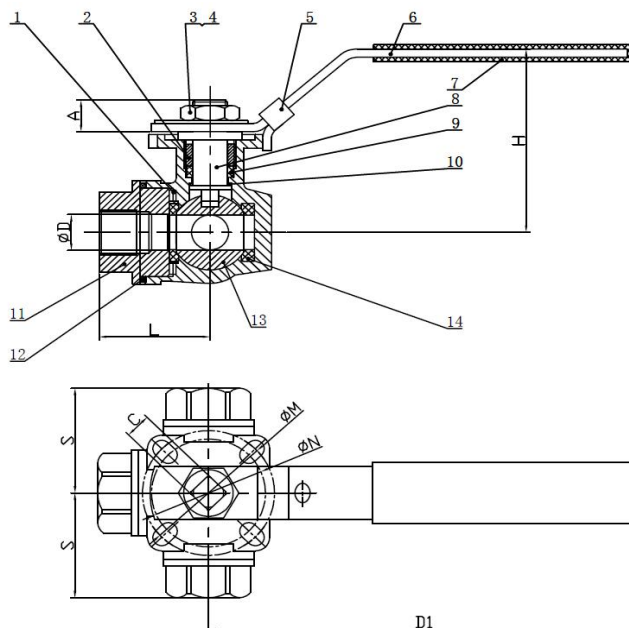


Cangzhou Changyuan Fittings Co.,ltd

Add:No.26 Shigang Road,Development Zone,Cangzhou ,Hebei,China Pc:061000

[Http://www.con-well.com](http://www.con-well.com) email:con-well@vip.163.com



Three-way Ball valves(Reduced bore)(mm)

DN	G	D	L	C	H	D1	M	N	A	S	ISO5211	Unit Weight(KG)
8	1/4"	12.70	38.30	9.00	67.00	140.00	42.00	36.00	10.00	37.90	F03/F04	0.65
10	3/8"	12.70	38.30	9.00	67.00	140.00	42.00	36.00	10.00	37.90	F03/F04	0.62
15	1/2"	12.70	38.30	9.00	67.00	140.00	42.00	36.00	10.00	37.90	F03/F04	0.57
20	3/4"	16.00	43.10	9.00	72.00	140.00	42.00	36.00	10.00	43.60	F03/F04	0.84
25	1"	20.00	51.00	11.00	85.00	162.00	50.00	42.00	12.50	51.20	F04/F05	1.35
32	1 1/4"	25.00	58.20	11.00	89.00	162.00	50.00	42.00	13.80	58.20	F04/F05	1.95
40	1 1/2"	32.00	63.60	14.00	97.00	189.00	71.00	50.00	12.00	63.50	F05/F07	2.88
50	2"	38.00	74.20	14.00	106.00	189.00	71.00	50.00	14.80	74.20	F05/F07	4.76

MATERIAL LIST

ITEM	DESCRIPTION	MATERIAL
1	BODY	CF8/CF8M
2	GLAND NUT	304
3	FLOW INDICATION PLATE	
4	STEM NUT	304
5	LOCKING	304
6	HANDLE	304
7	PLASTIC COVER	PLASTIC
8	STEM	304
9	STEM PACKING	PTFE
10	STEM SEAL	PTFE
11	CAP	CF8/CF8M
12	BODY SEAL	PTFE
13	BALL	CF8/CF8M
14	BALL SEAT	PTFE

FEATURES:

- Handle with lock can be choiced.
- Working pressure:1000PSI(PN64).
- Working temperature:-10℃ to 150℃
- Suitable medium:W.O.G.
- Thread: ISO7/1,ISO228,BSPT,DIN2999,NPT.
- PED97/23/EC(CE0038)Approved.
- Inspection Testing:API598,EN12266.